

**Model: FLD182 SERIES**

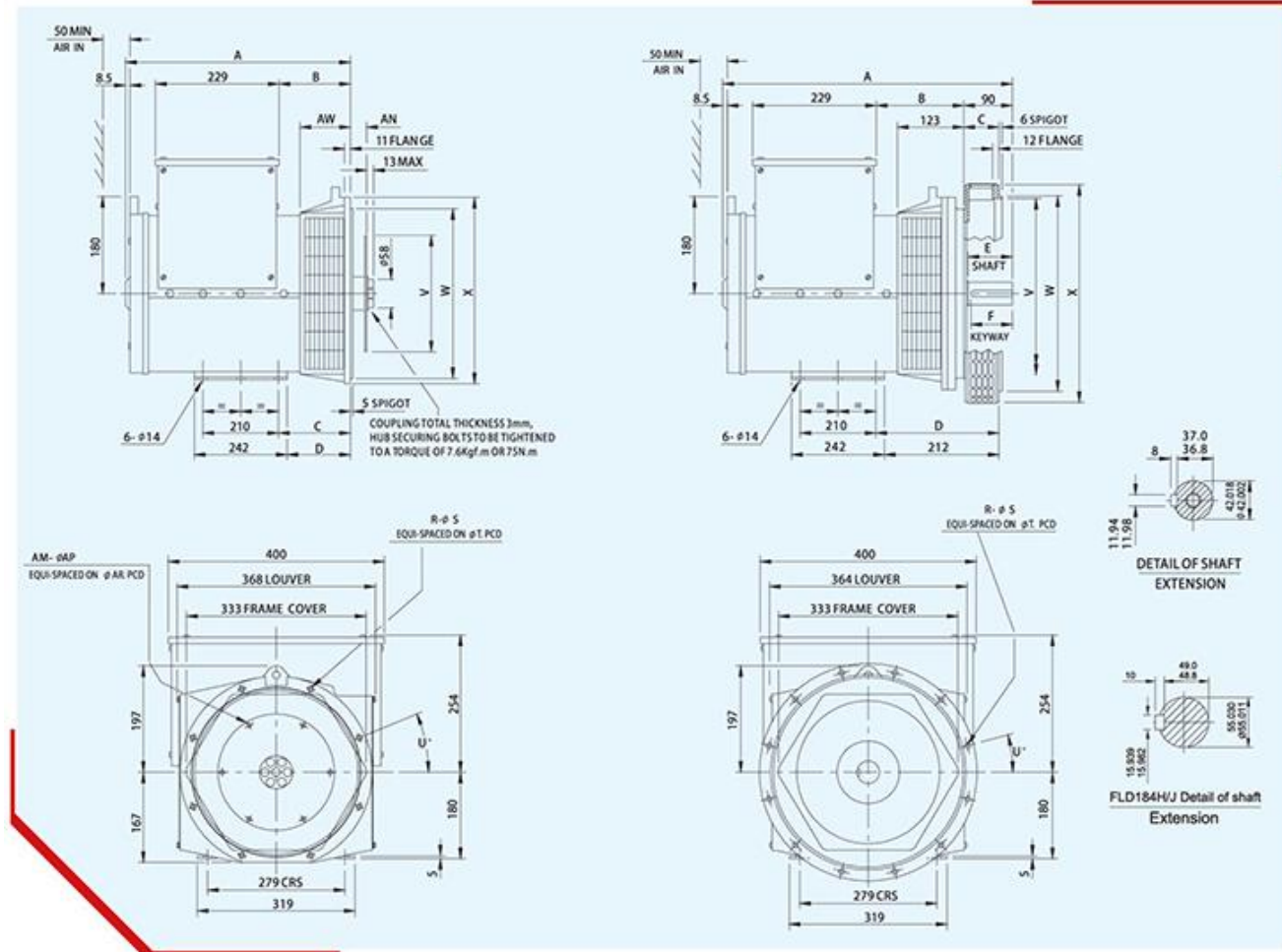


**DATA SHEET**

FLD182 FERIES		Three-phase H class temperature rise 125°C							
VOLTAGE		50Hz/3000Rpm				60Hz/3600Rpm			
STAR(Y)-SERIES		380	400	415	440	416	440	460	480
STAR(Y)-PARALLEL		190	200	208	220	208	220	230	240
DELTA(Δ)-SERIES		220	230	240	254	240	254	266	277
FLD182H	Rated capacity (KVA)	30.0	30.0	30.0	29.0	33.0	35.0	35.0	35.0
	Rated Power (KW)	24.0	24.0	24.0	23.2	26.4	28.0	28.0	28.0
	Efficiency (%)	82.5	83.0	83.3	83.6	81.5	81.9	82.4	82.8
FLD182J	Rated capacity (KVA)	35.0	35.0	35.0	34.0	37.8	40.0	40.0	40.0
	Rated Power (KW)	28.0	28.0	28.0	27.2	30.2	32.0	32.0	32.0
	Efficiency (%)	83.5	83.8	84.0	84.3	82.6	82.9	83.2	83.5
FLD182K	Rated capacity (KVA)	37.5	37.5	37.5	36.3	44.4	46.9	46.9	46.9
	Rated Power (KW)	30.0	30.0	30.0	29.0	35.5	37.5	37.5	37.5
	Efficiency (%)	84.8	85.2	85.5	85.8	83.6	84.2	84.6	84.9

**Model: FLD182 SERIES**

**EXTERNAL DIMENSION**



**SINGLE BEARING SUPPORTING**

DIMENSION		SHIPPING DETAIL			
MODEL	A	B	N.W(kg)	G.W(kg)	PACKING SIZE(cm)
FLD182H	481.5	197	130	140	64x54x72
FLD182J	481.5	197	143	153	64x54x72
FLD182K	521.5	237	159	169	64x54x72

COUPLING DISC					
SAE NO.	AN	AM	AP	AR	V
6.5	30.16	6	8.7	200	215.8
7.5	30.16	8	8.7	222.2	241.2
8	61.9	6	11	244.5	263.4
10	53.98	8	11	295.3	314.2
11.5	39.68	8	11	333.4	352.3

FLANGE ADAPTOR									
SAE NO.	AW	R	S	T	U	W	X	C	D
2	132.2	12	11	466.7	15	447.6	489	172	156
3	105	8	11	428.6	15	409.5	451	145	129
4	93	8	11	381	15	361.9	402	133	117
5	93	8	11	333.3	22.5	314.3	356	133	117
6	124.7	8	11	285.8	22.5	266.7	308	164.7	148.7

**Model: FLD182 SERIES**

**DOUBLE BEARING SUPORTING**

DIMENSION						
MODEL	A	B	C	D	E	F
FLD182H	601.5	227	65	228	82	77
FLD182J	601.5	227	65	228	82	77
FLD182K	641.5	267	65	228	82	77

FLANGE ADAPTOR							
SAE NO.	R	S	T	U	V	W	X
2	12	11	466.7	15	432	447.6	495
3	12	11	428.6	15	396	409.5	451
4	12	11	381	15	352	361.9	403
5	8	11	333.3	22.5	301	314.3	356

SHIPPING DETAIL			
MODEL	N.W(kg)	G.W(kg)	PACKING SIZE(cm)
FLD182H	137	147	64x54x72
FLD182J	150	160	64x54x72
FLD182K	166	176	64x54x72