

**Model: FLD184**

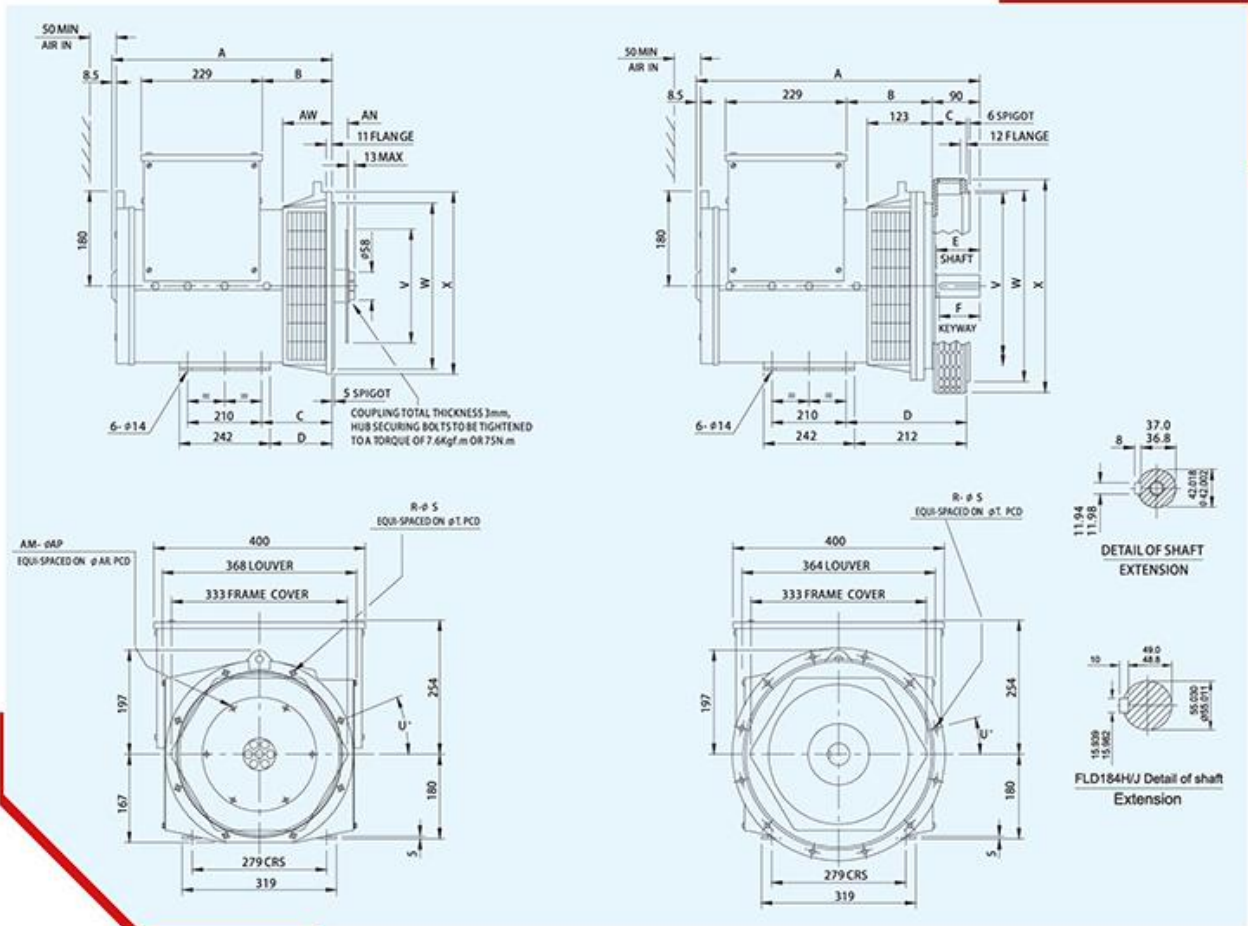


**DATA SHEET**

FLD184 FERIES		Three-phase H class temperature rise 125°C							
VOLTAGE		50Hz/1500Rpm				60Hz/1800Rpm			
STAR(Y)-SERIES		380	400	415	440	416	440	460	480
STAR(Y)-PARALLEL		190	200	208	220	208	220	230	240
DELTA(Δ)-SERIES		220	230	240	254	240	254	266	277
FLD184E	Rated capacity (KVA)	22.5	22.5	22.5	17.5	27.5	28.8	28.8	30.0
	Rated Power (KW)	18.0	18.0	18.0	14.0	22.0	23.0	23.0	24.0
	Efficiency (%)	84.3	84.9	85.3	85.8	83.8	84.3	84.9	85.2
FLD184F	Rated capacity (KVA)	27.5	27.5	27.5	22.5	32.5	34.4	34.4	35.0
	Rated Power (KW)	22.0	22.0	22.0	18.0	26.0	27.5	27.5	28.0
	Efficiency (%)	85.7	86.2	86.6	87.0	85.6	85.9	86.4	86.7
FLD184G	Rated capacity (KVA)	31.3	31.3	31.3	27.5	35.0	37.5	37.5	37.5
	Rated Power (KW)	25.0	25.0	25.0	22.0	28.0	30.0	30.0	30.0
	Efficiency (%)	86.6	87.0	87.3	87.6	86.7	87.3	87.6	87.8
FLD184H	Rated capacity (KVA)	37.5	37.5	37.5	32.5	44.3	46.9	46.9	46.9
	Rated Power (KW)	30.0	30.0	30.0	26.0	35.4	37.5	37.5	37.5
	Efficiency (%)	86.8	87.1	87.4	87.6	86.9	87.2	87.5	87.8
FLD184J	Rated capacity (KVA)	40.0	42.5	40.0	35.0	47.3	50.0	50.0	50.0
	Rated Power (KW)	32.0	34.0	32.0	28.0	37.8	40.0	40.0	40.0
	Efficiency (%)	87.4	87.7	87.9	88.2	87.5	87.8	88.2	88.5

# Model: FLD184

## EXTERNAL DIMENSION



### SINGLE BEARING SUPORTIN

DIMENSION		SHIPPING DETAIL			
MODEL	A	B	N.W(kg)	G.W(kg)	PACKING SIZE(cm)
FLD184E	431.5	147	120	133	84x59x75
FLD184F	521.5	237	150	156	84x59x75
FLD184G	521.5	237	156	172	84x59x75
FLD184H	654.5	325	216	226	84x59x75
FLD184J	654.5	325	226	236	84x59x75

### COUPLING DISC

SAE NO.	AN	AM	AP	AR	V
6.5	30.16	6	8.7	200	215.8
7.5	30.16	8	8.7	222.2	241.2
8	61.9	6	11	244.5	263.4
10	53.98	8	11	295.3	314.2
11.5	39.68	8	11	333.4	352.3

### FLANGE ADAPTOR

SAE NO.	AW	R	S	T	U	W	X	C	D
2	132.2	12	11	466.7	15	447.6	489	172	156
3	105	8	11	428.6	15	409.5	451	145	129
4	93	8	11	381	15	361.9	402	133	117
5	93	8	11	333.3	22.5	314.3	356	133	117
6	124.7	8	11	285.8	22.5	266.7	308	164.7	148.7

**DOUBLE BEARING SUPORTING**

<b>DIMENSION</b>						
<b>MODEL</b>	<b>A</b>	<b>B</b>	<b>C</b>	<b>D</b>	<b>E</b>	<b>F</b>
FLD184E	551.5	147	65	228	82	77
FLD184F	641.5	237	65	228	82	77
FLD184G	641.5	237	65	228	82	77
FLD184H	736.5	285	105	271	110	100
FLD184J	736.5	285	105	271	110	100

<b>FLANGE ADAPTOR</b>							
<b>SAE NO.</b>	<b>R</b>	<b>S</b>	<b>T</b>	<b>U</b>	<b>V</b>	<b>W</b>	<b>X</b>
2	12	11	466.7	15	432	447.6	495
3	12	11	428.6	15	396	409.5	451
4	12	11	381	15	352	361.9	403
5	8	11	333.3	22.5	301	314.3	356

<b>SHIPPING DETAIL</b>			
<b>MODEL</b>	<b>N.W(kg)</b>	<b>G.W(kg)</b>	<b>PACKING SIZE(cm)</b>
FLD184E	131	141	84x59x75
FLD184F	154	164	84x59x75
FLD184G	170	180	84x59x75
FLD184H	220	230	84x59x850
FLD184J	230	240	84x59x850