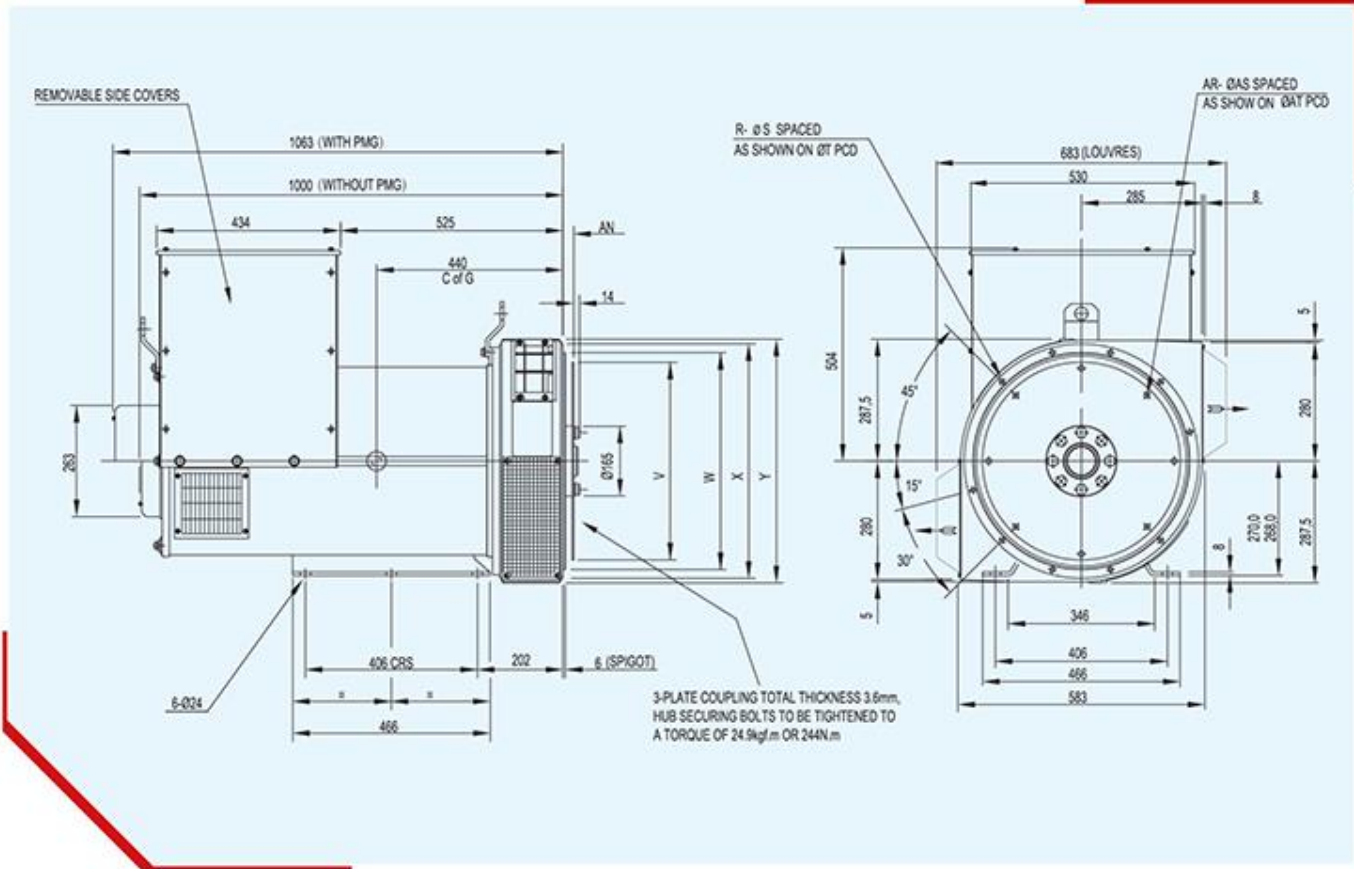


• **DATA SHEET**

FLD274J-K		Three-phase H class temperature rise 125°C						
VOLTAGE		50Hz/1500Rpm			60Hz/1800Rpm			
STAR(Y)-SERIES		380	400	415	416	440	460	480
STAR(Y)-PARALLEL		190	200	208	208	220	230	240
DELTA(Δ)-SERIES		220	230	240	240	254	266	277
FLD274J	Rated capacity (KVA)	230.0	230.0	230.0	269.0	281.0	281.0	300.0
	Rated Power (KW)	184.0	184.0	184.0	215.2	224.8	224.8	240.0
	Efficiency (%)	92.6	92.7	92.8	92.8	92.9	93.0	93.1
FLD274K	Rated capacity (KVA)	250.0	250.0	250.0	290.0	300.0	312.5	312.5
	Rated Power (KW)	200.0	200.0	200.0	232.0	240.0	250.0	250.0
	Efficiency (%)	92.7	92.8	92.9	93.0	93.2	93.3	93.4

EXTERNAL DIMENSION



FLANGE ADAPTOR						
SAE NO.	R	S	T	W	X	Y
1	10	12.7	530.2	511.1	553	575
2	10	11	466.7	447.6	489	575

COUPLING DISC					
SAE NO.	AN	AR	AS	AT	V
11.5	39.68	8	11	333.3	352.35
14	25.4	8	13.5	438.2	466.67

SHIPPING DETAIL			
MODEL	N.W(kg)	G.W(kg)	PACKING SIZE(cm)
FLD274J	720	760	117X64X99
FLD274K	740	780	117X64X99